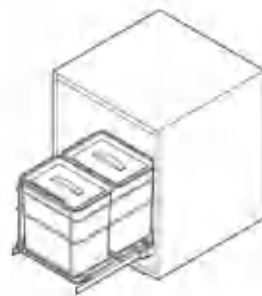




ASSEMBLY GUIDE

Silver finish pull out Recycle Bin



Components

Tools required



1 x Wire frame



1 pr. x runner



2 x 16l bin



2 x lid bin



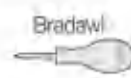
8x 3.9x16 mm



4x M4x9 mm



Cross Head Screwdriver



Bradawl

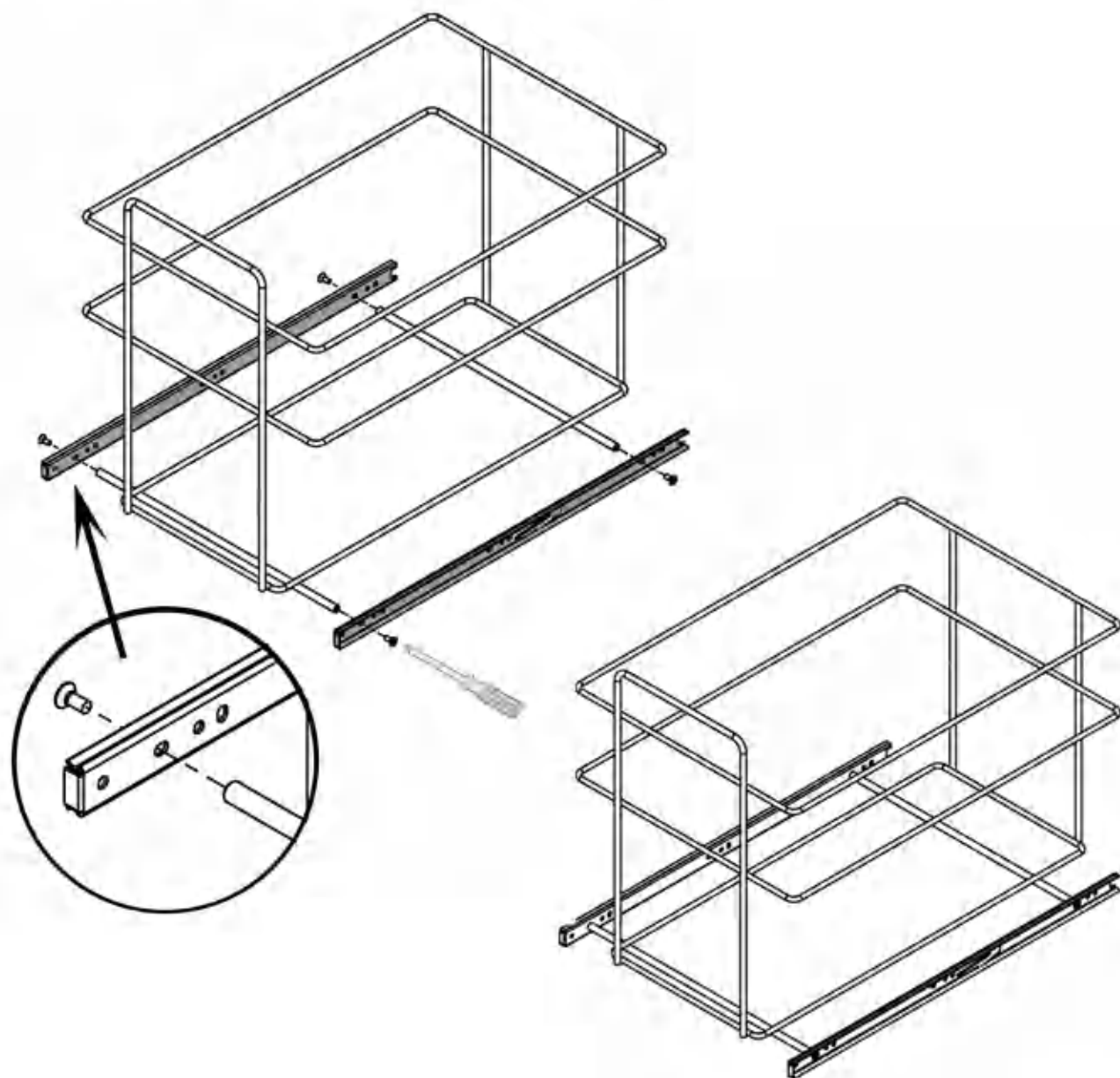


Pencil

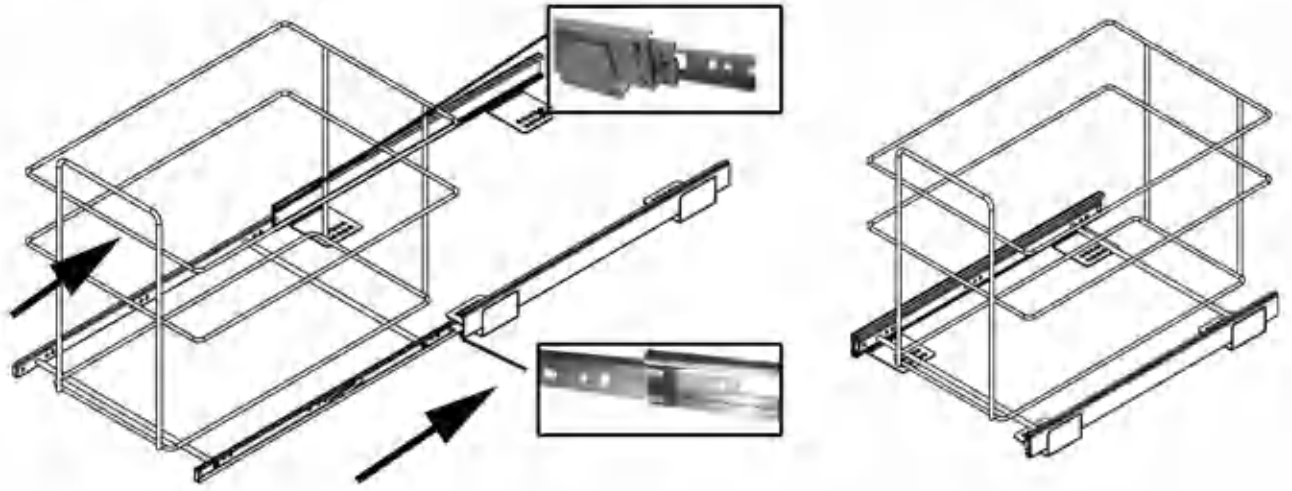


Tape measure

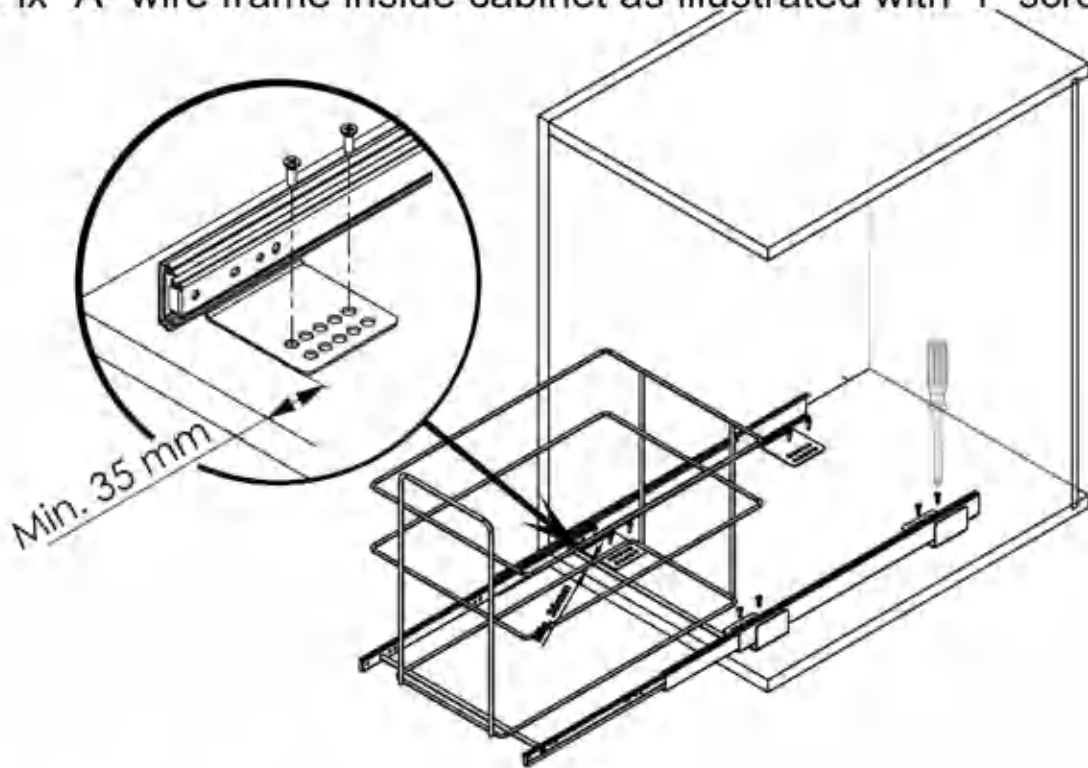
1. Fix slides "B" to wire frame with 4 screws "G"



2. Insert Slides "B" in "C" to wire frame "A"



3. Fix "A" wire frame inside cabinet as illustrated with "F" screws



4. Place Bins "D" in, as illustrated

