



ASSEMBLY GUIDE

Waste Bin

FOR CABINET 300MM



Components

- A** 1 x Wire frame
- B** 1 pr. runner
- C** 1 pr. x runner cover
- D** 1 bin 6 LT.
- E** 1 bin 24 LT.
- F** 8 screws 3.9x16
- G** 8 screws 4x13
- H** Door adj. bracket
- I** 4x M5x7

Tools required

Cross Head Screwdriver



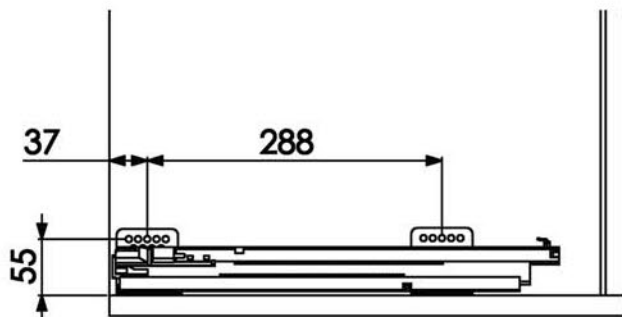
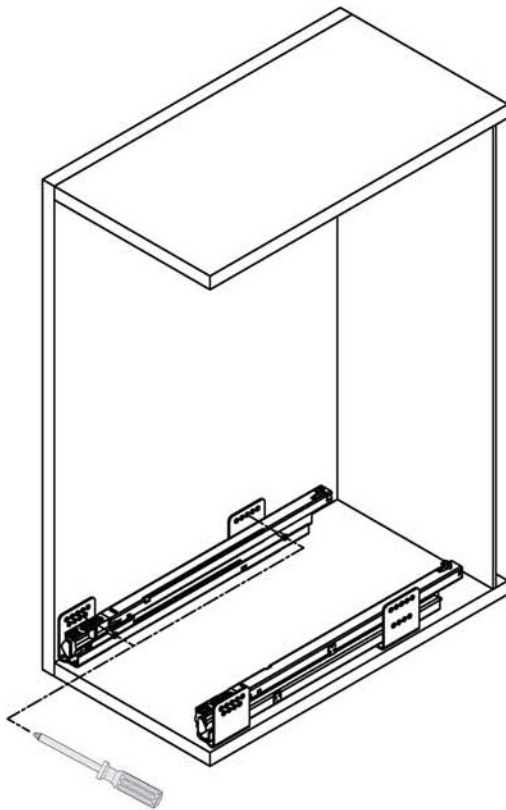
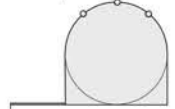
Bradawl



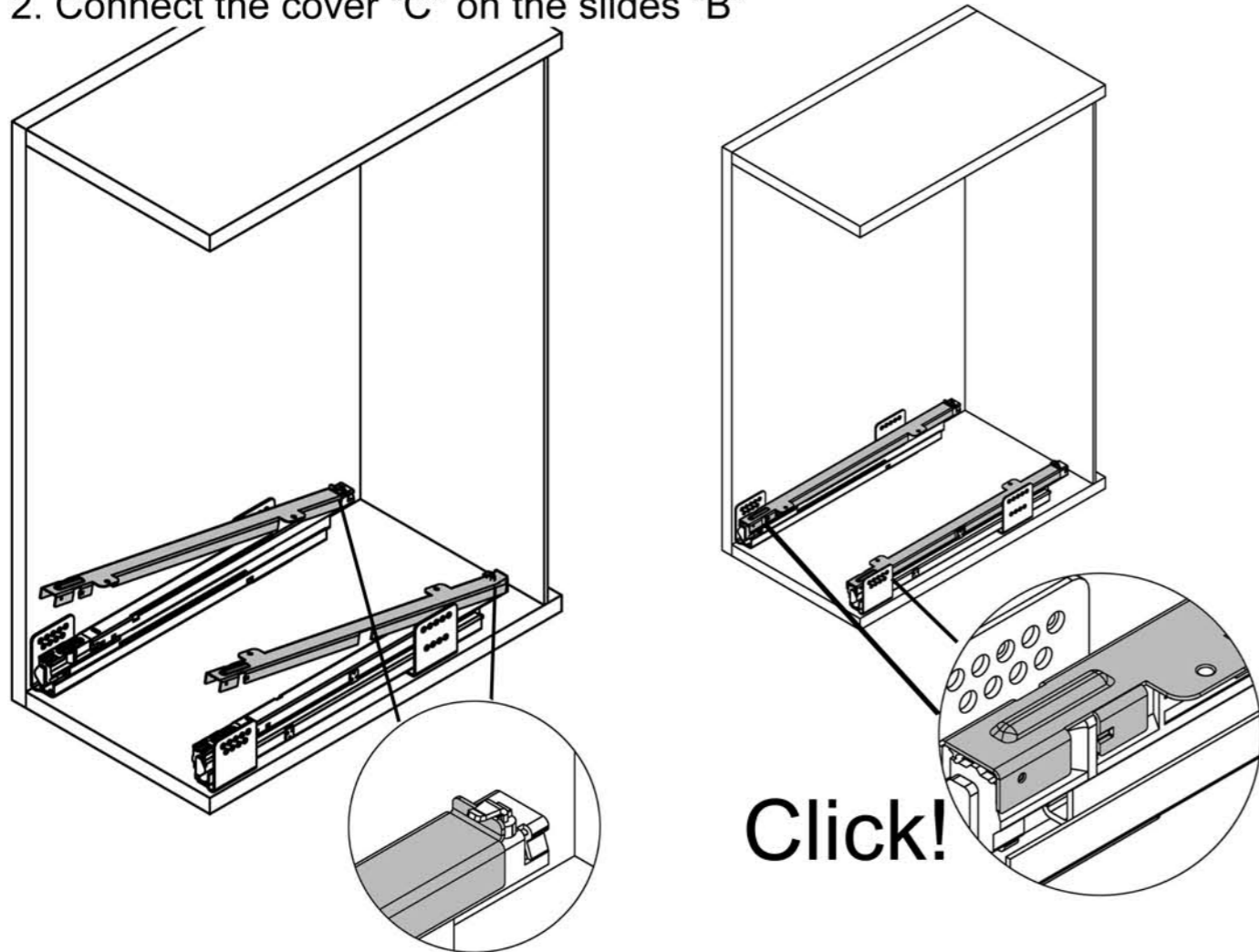
Pencil



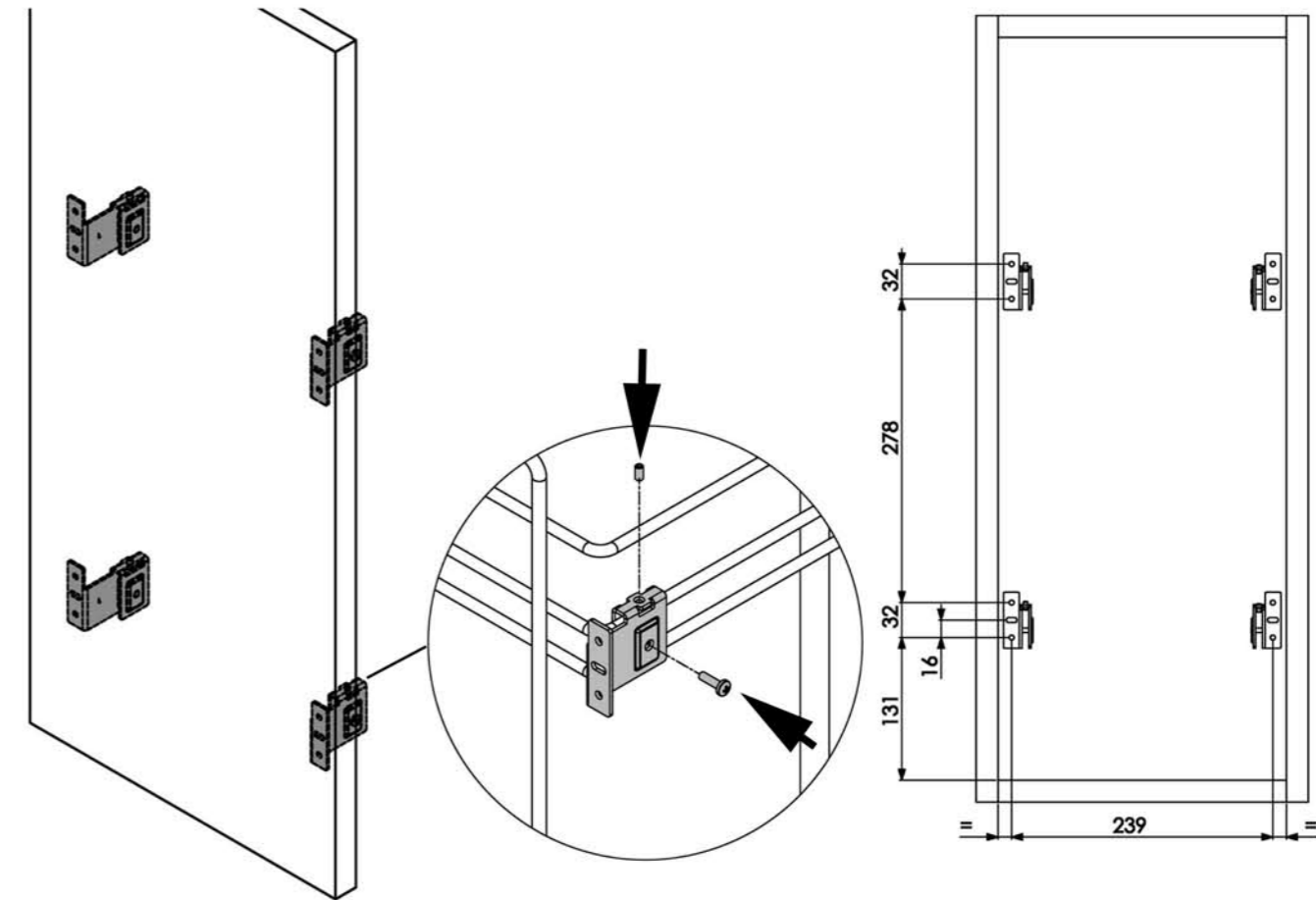
Tape measure



2. Connect the cover "C" on the slides "B"



4. If connecting to a door use metal part "H" by using the drilling pattern as illustrated below.



3. Fix the basket with 4 screw "I" M5x7, to cover "C" as illustrated.

