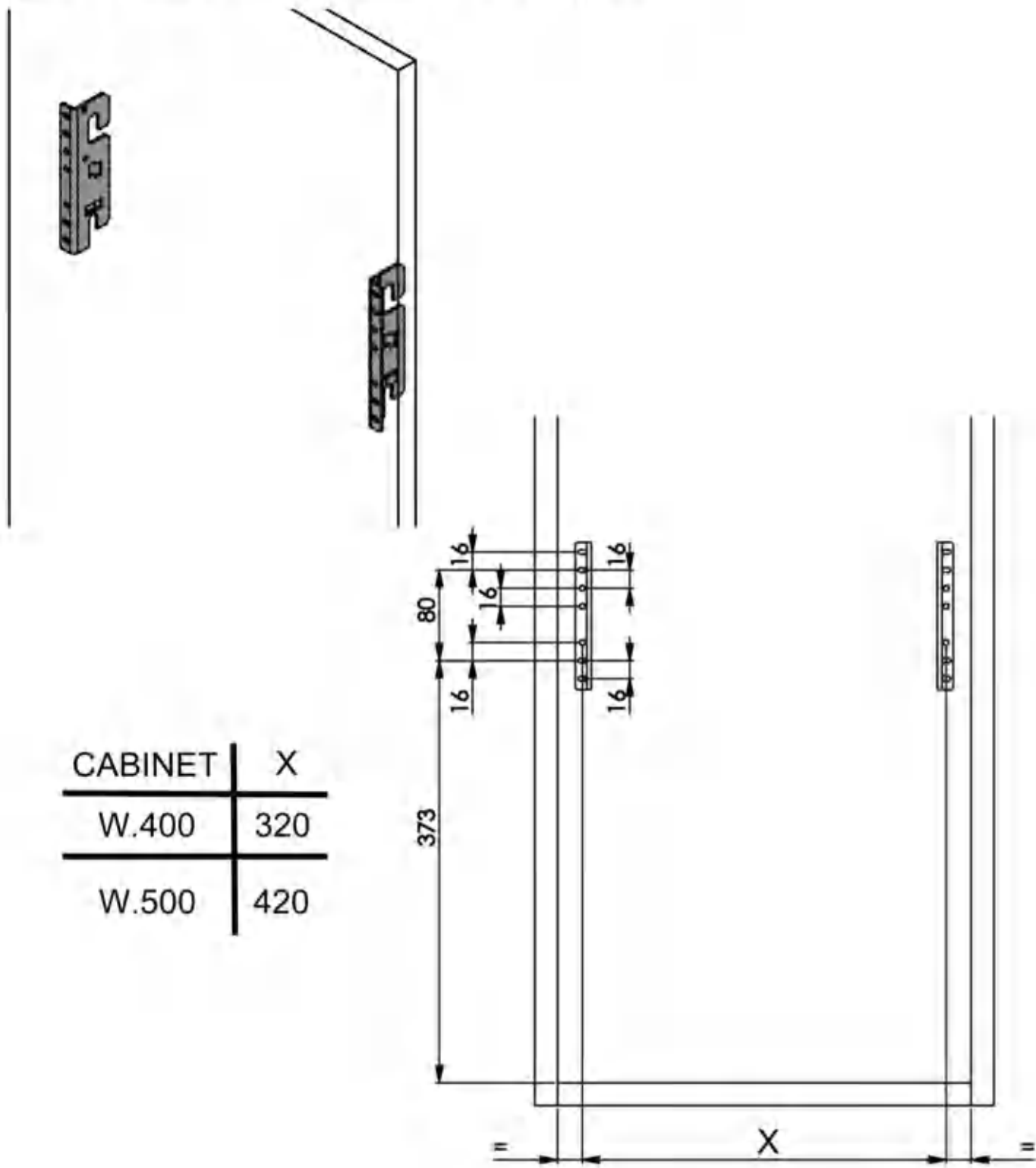


4. For door attachment, connect "H" using 4xF

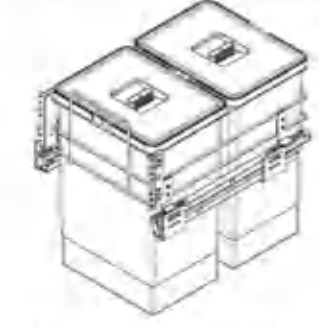


CABINET	X
W.400	320
W.500	420

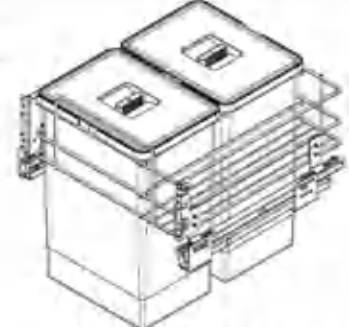


ASSEMBLY GUIDE

Waste Bin

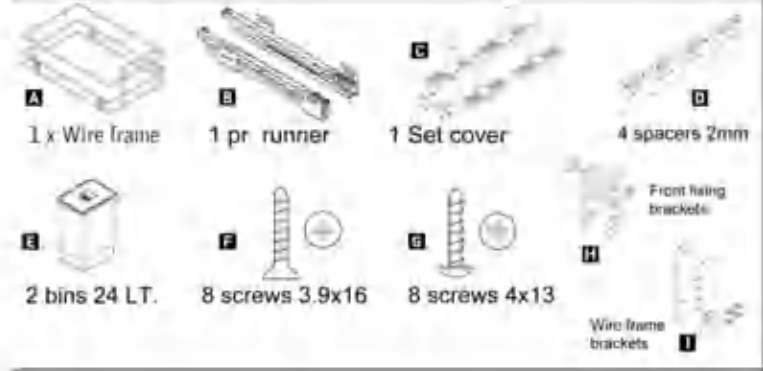


CABINET 400MM

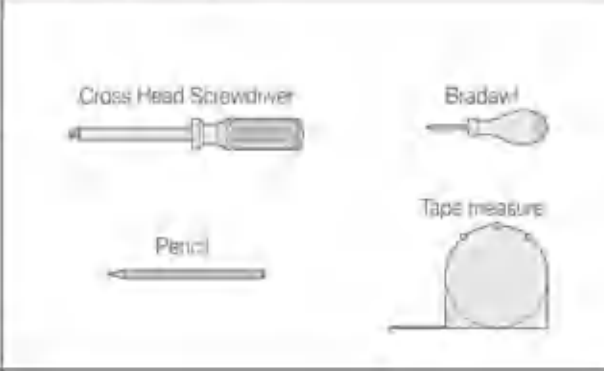


CABINET 500MM

Components

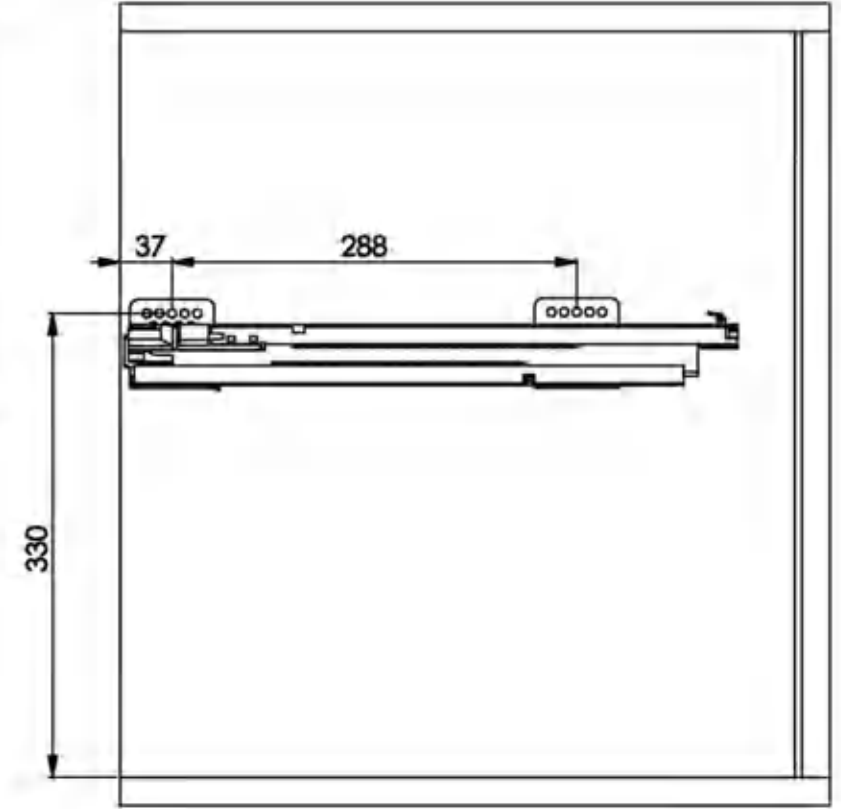
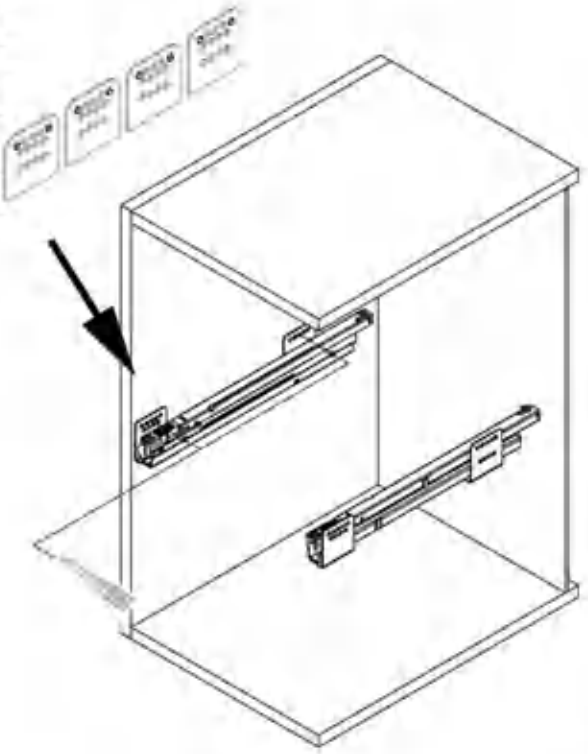


Tools required

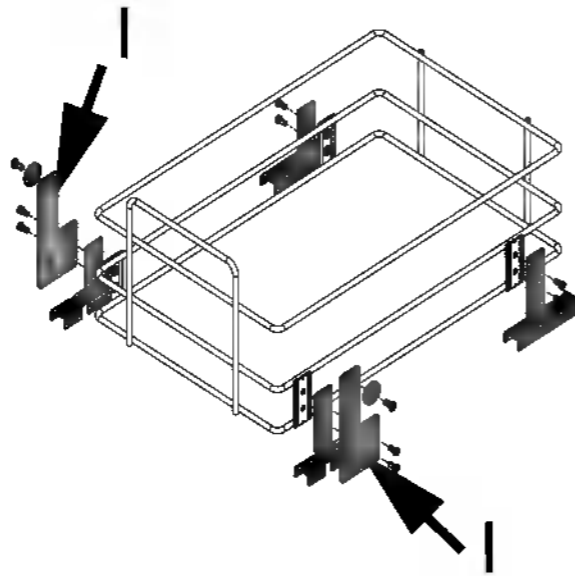
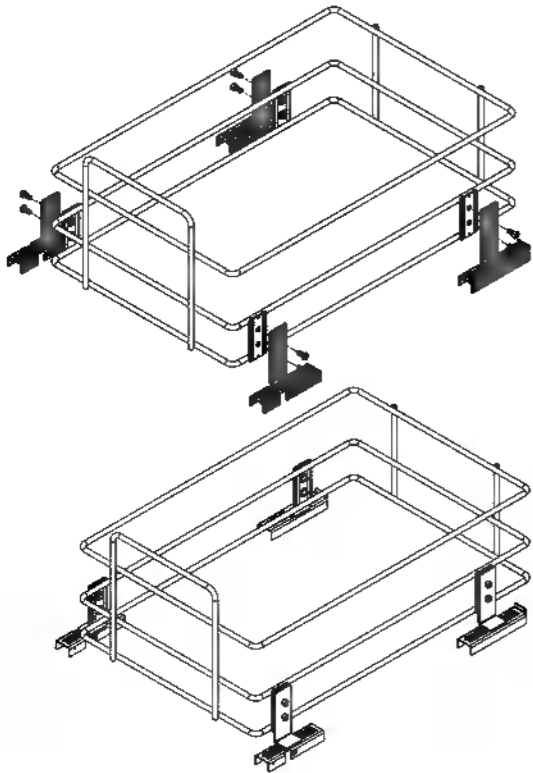


1. Attach "B" to inside cabinet as illustrated with "F" screws
 1A. Use spacers "D" if cabinet is 16mm

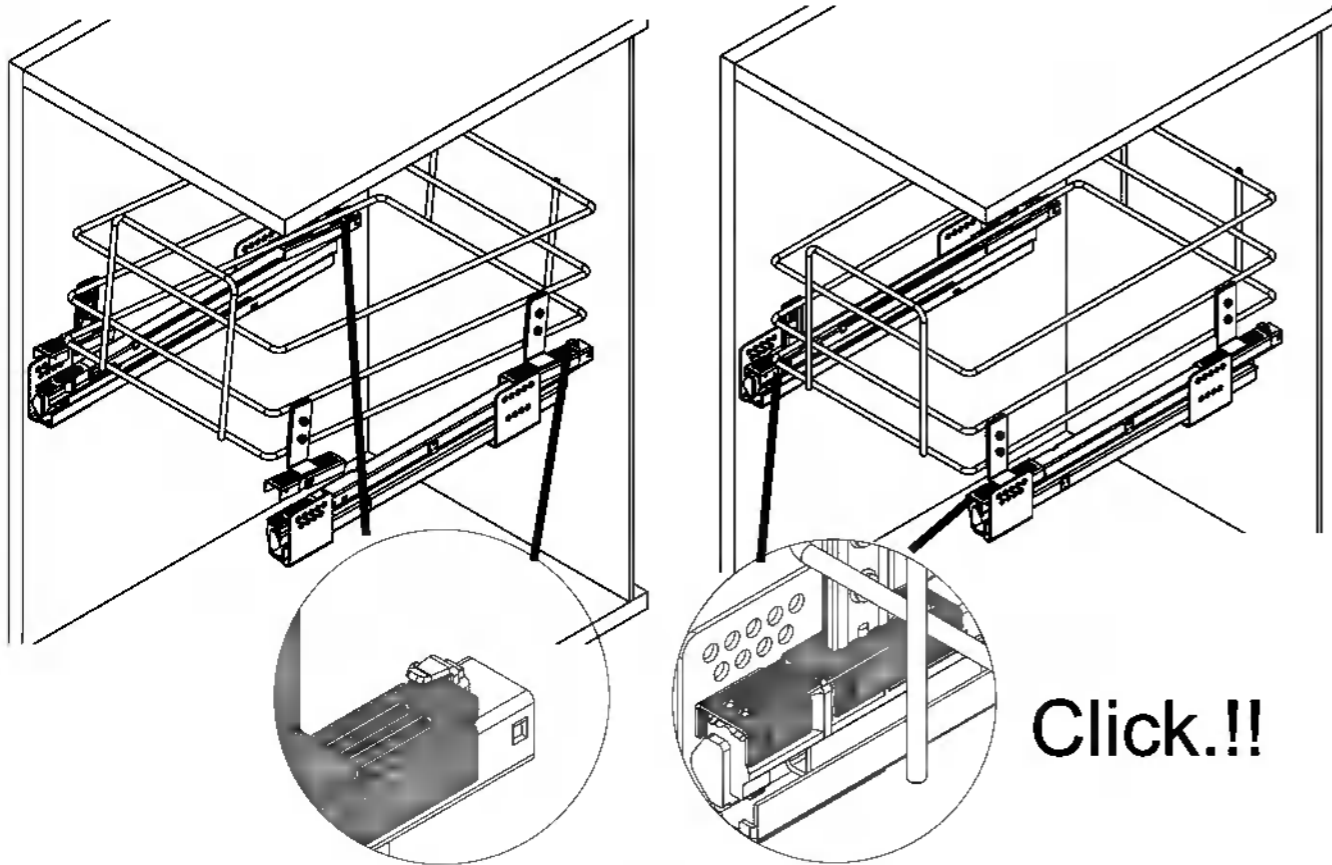
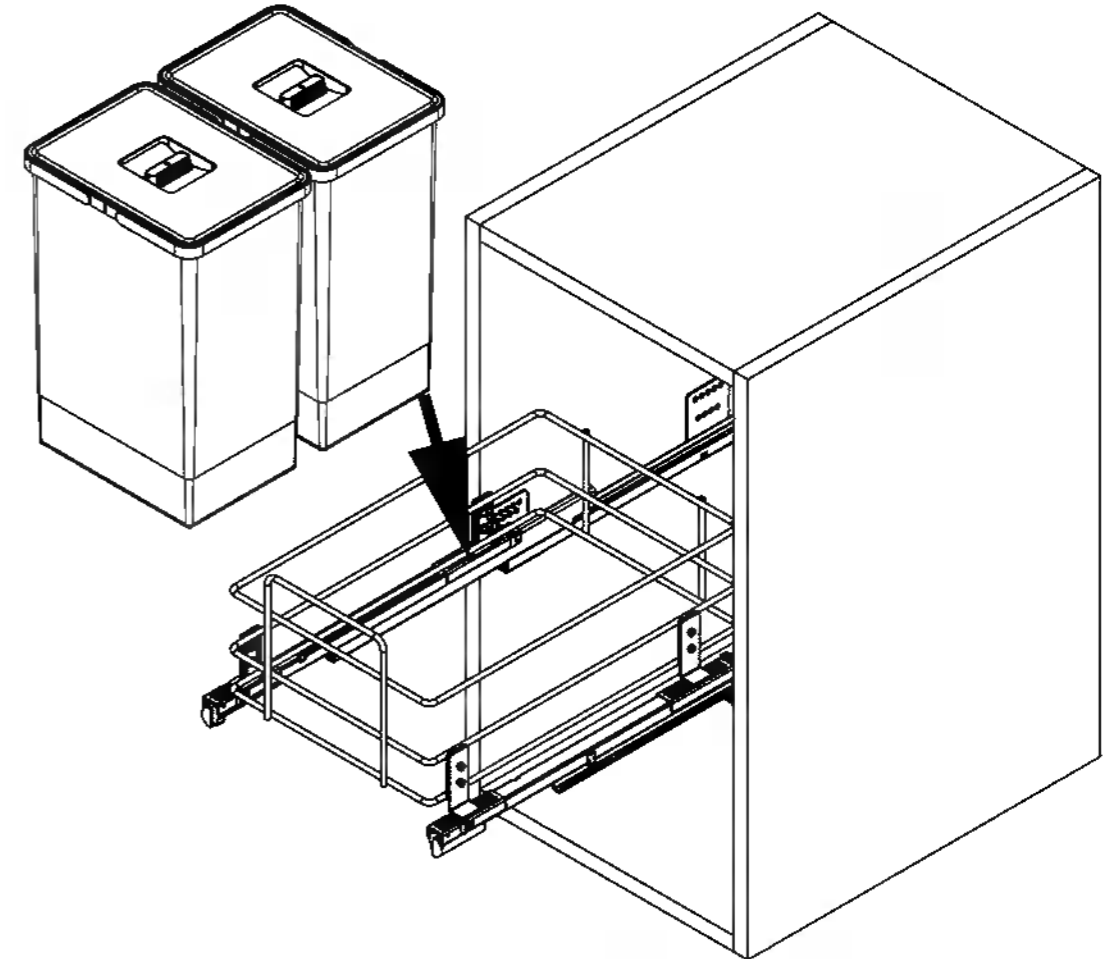
Read note 1.A



2. Attach "C" to "A"



2.A For door attachment,
connect "I" with "C"



3. Connect frame "A" to runners "B" as illustrated

