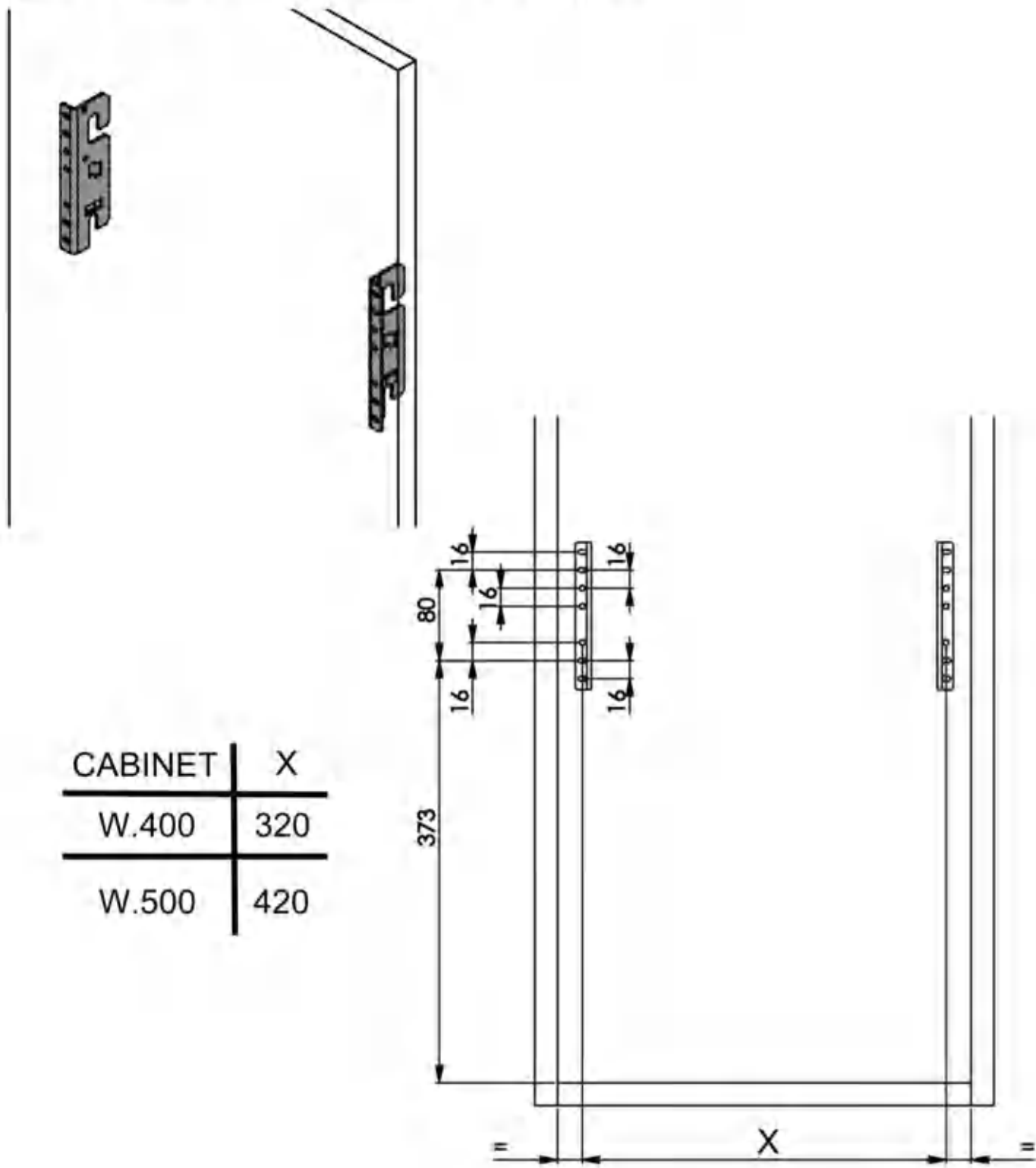


4. For door attachment, connect "H" using 4xF

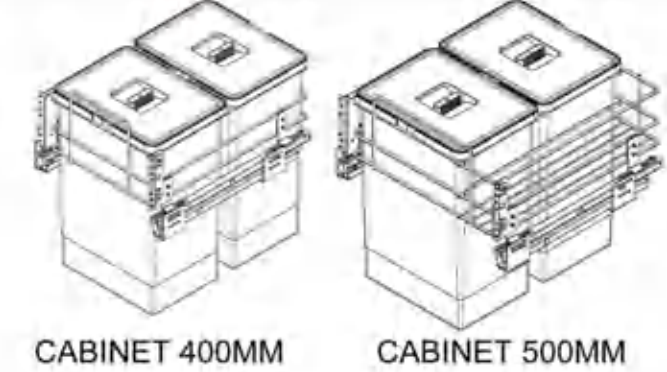


CABINET	X
W.400	320
W.500	420

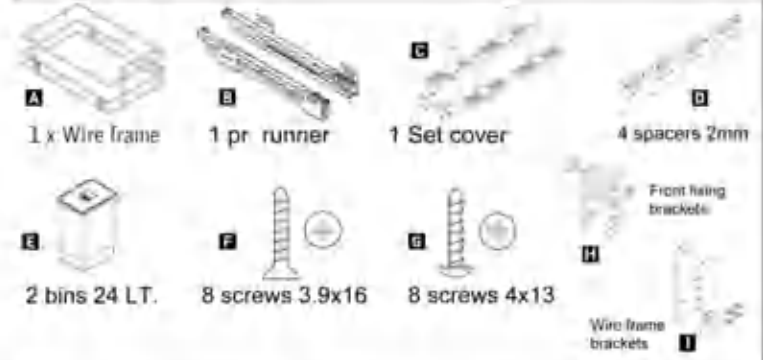
# SIGE™

## ASSEMBLY GUIDE

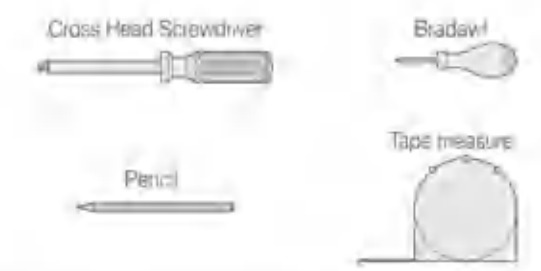
# Waste Bin



### Components

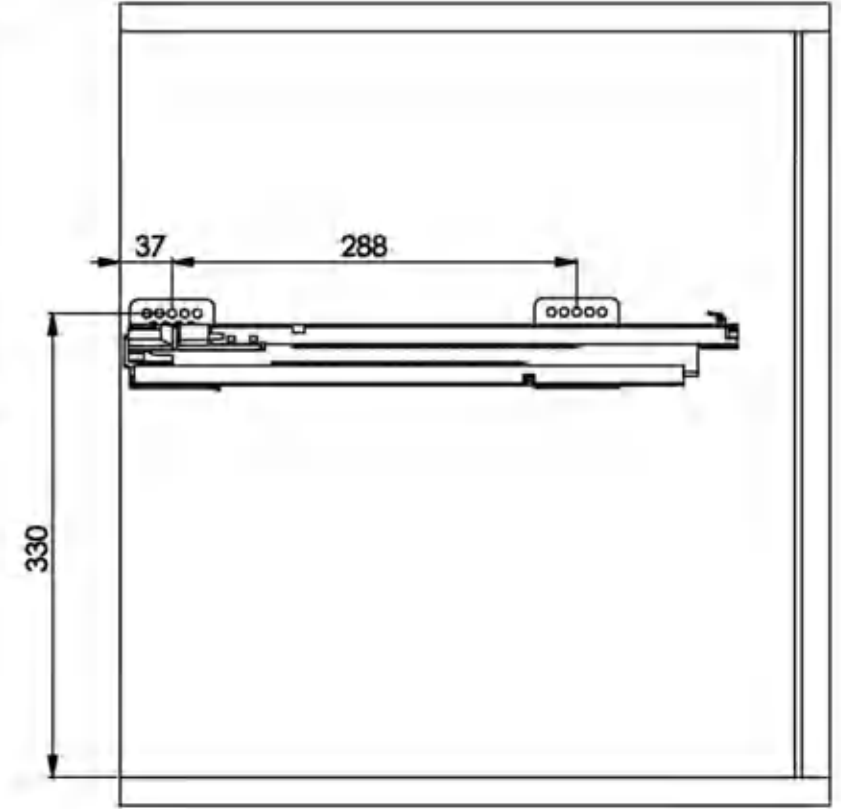
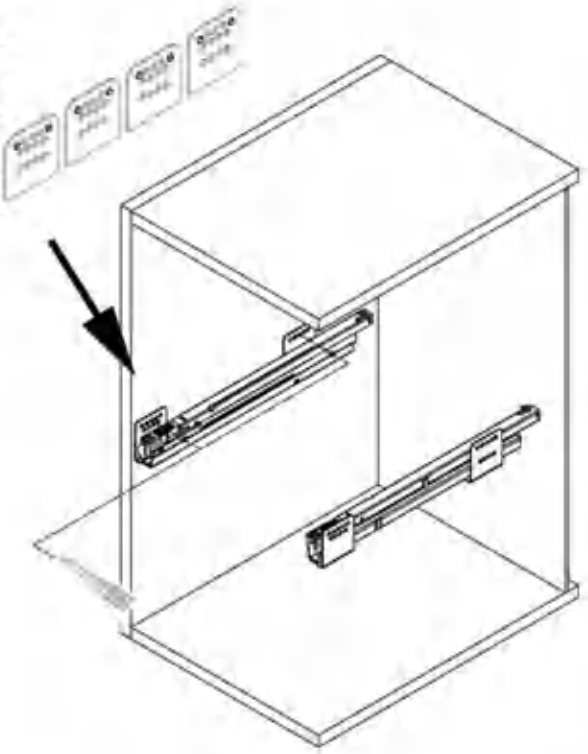


### Tools required

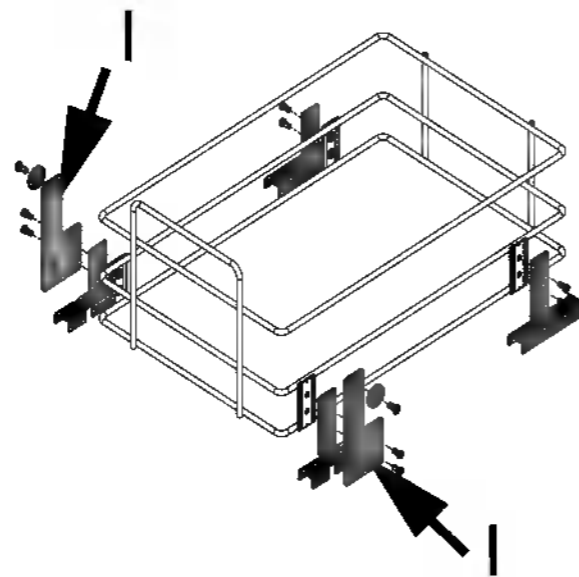
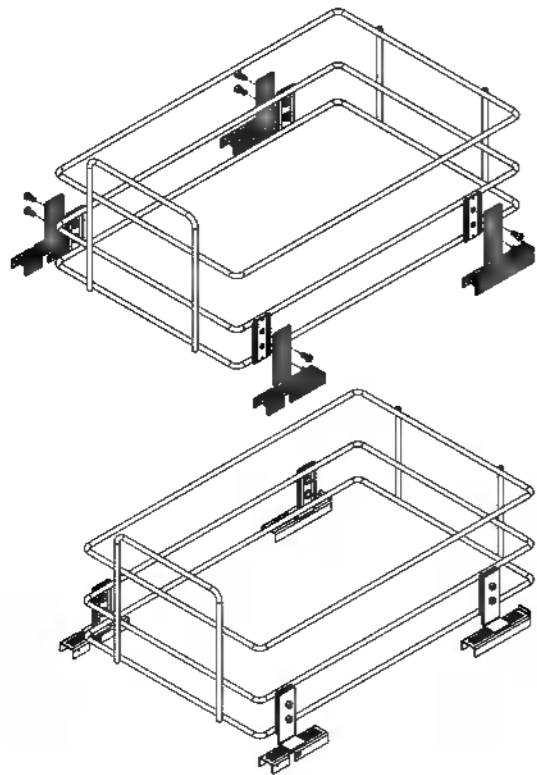


1. Attach "B" to inside cabinet as illustrated with "F" screws  
 1A. Use spacers "D" if cabinet is 16mm

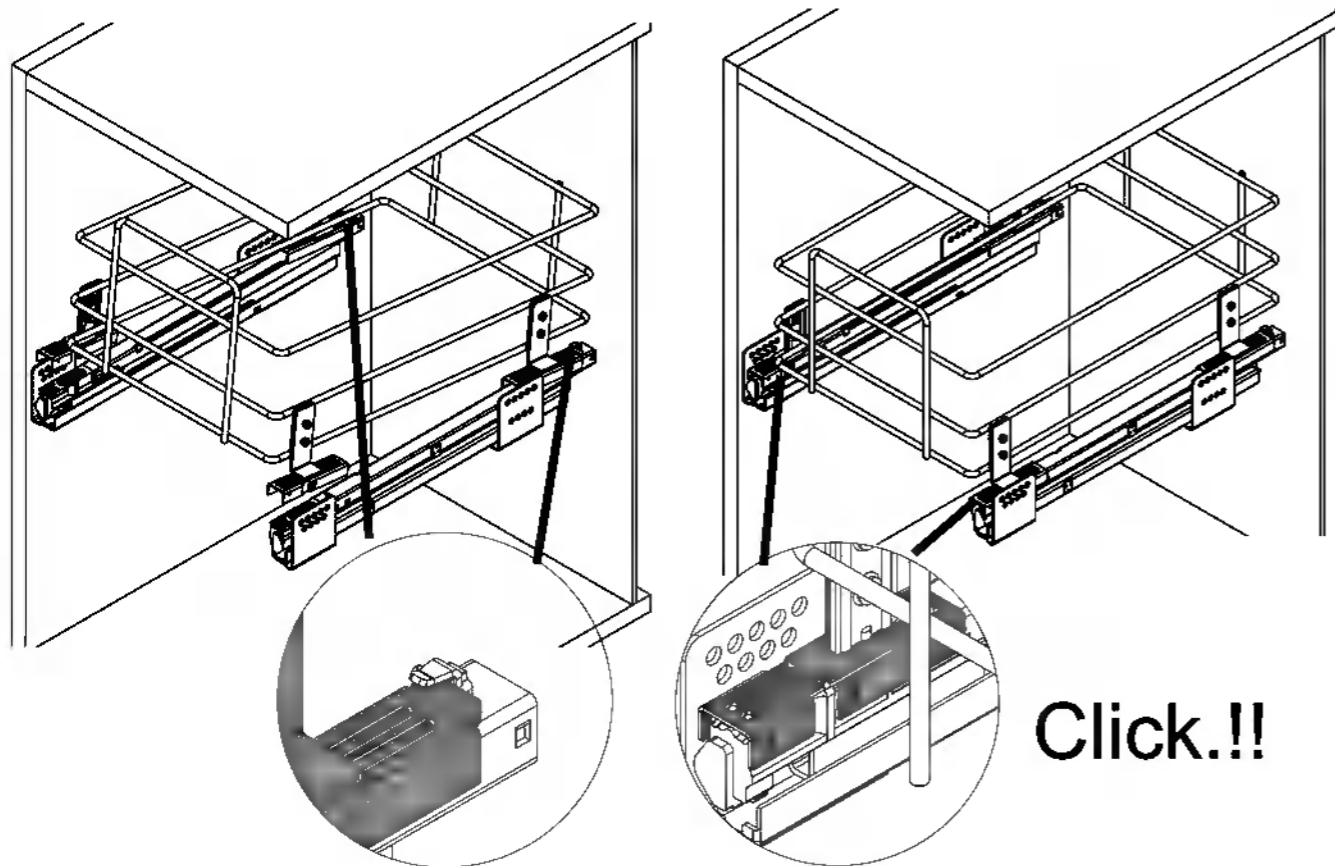
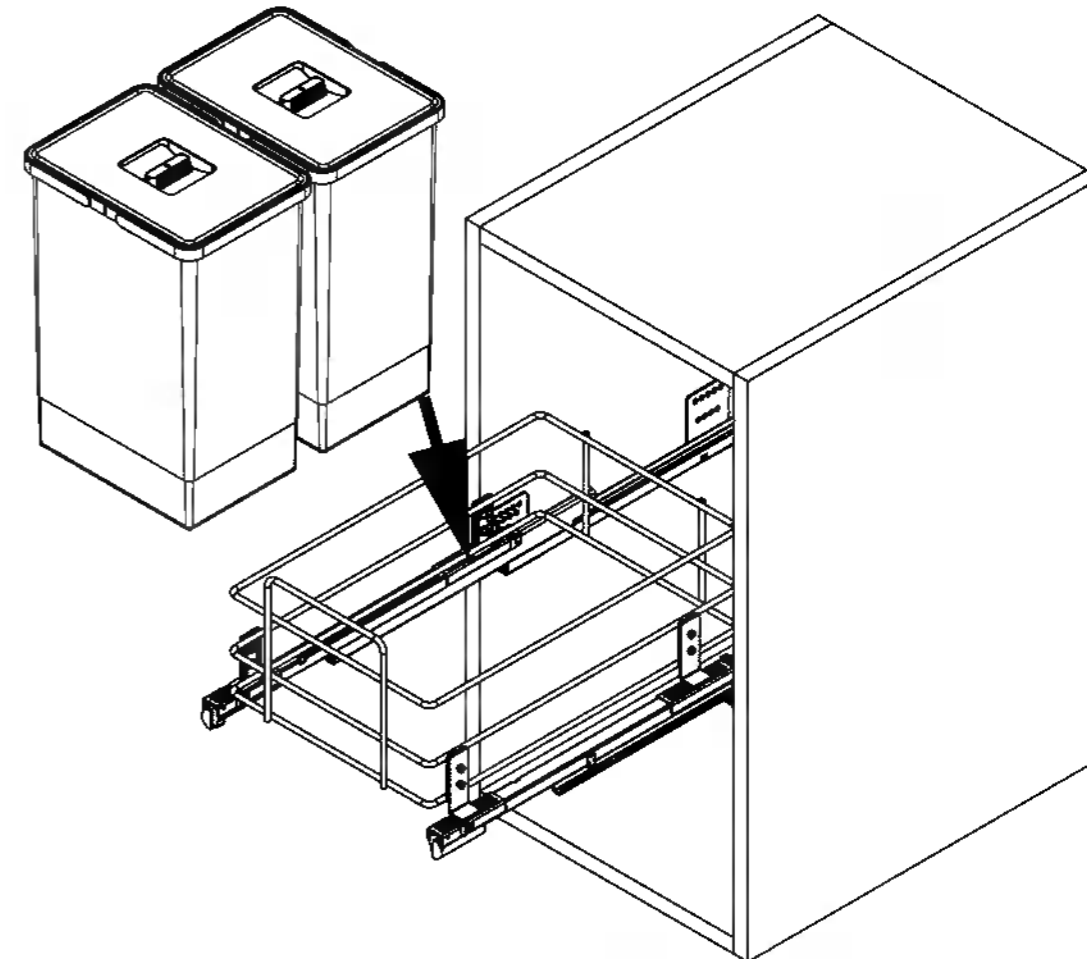
Read note 1.A



2. Attach "C" to "A"



2.A For door attachment,  
connect "I" with "C"



3. Connect frame "A" to runners "B" as illustrated

