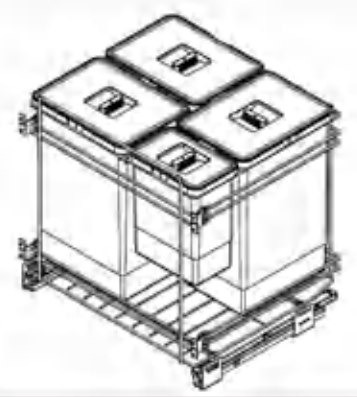




ASSEMBLY GUIDE

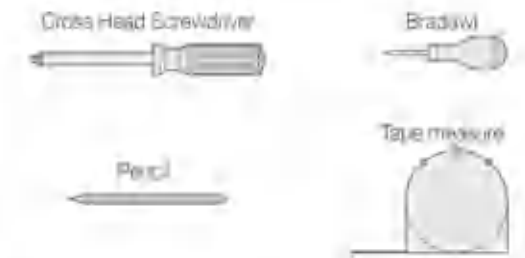
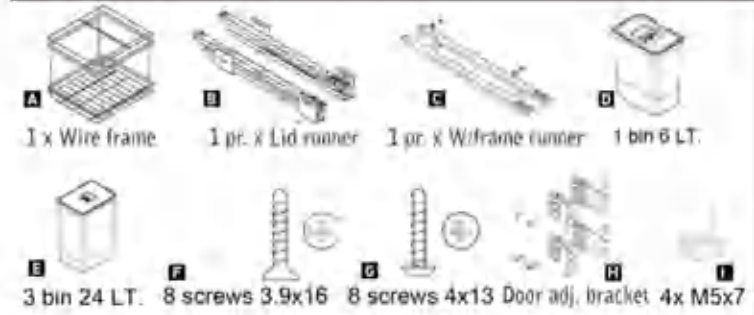
Waste Bin

FOR CABINET 600MM

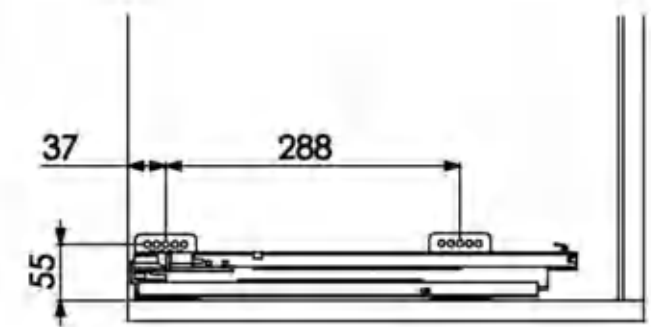
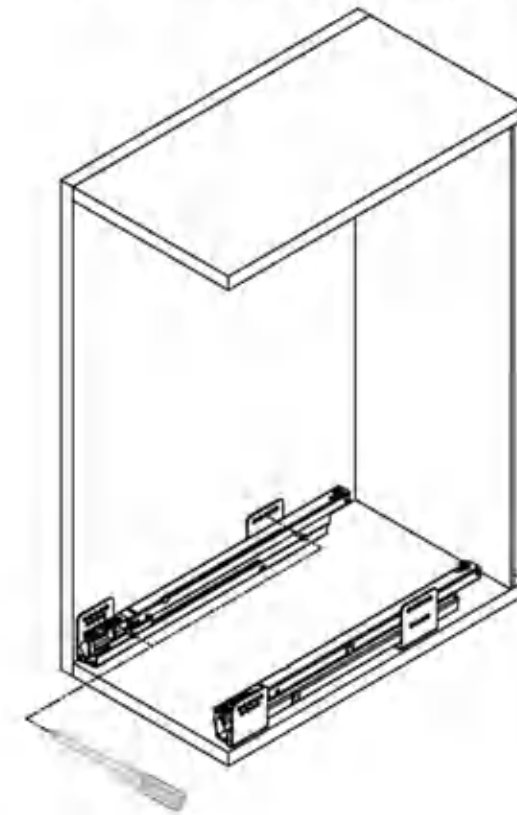


Components

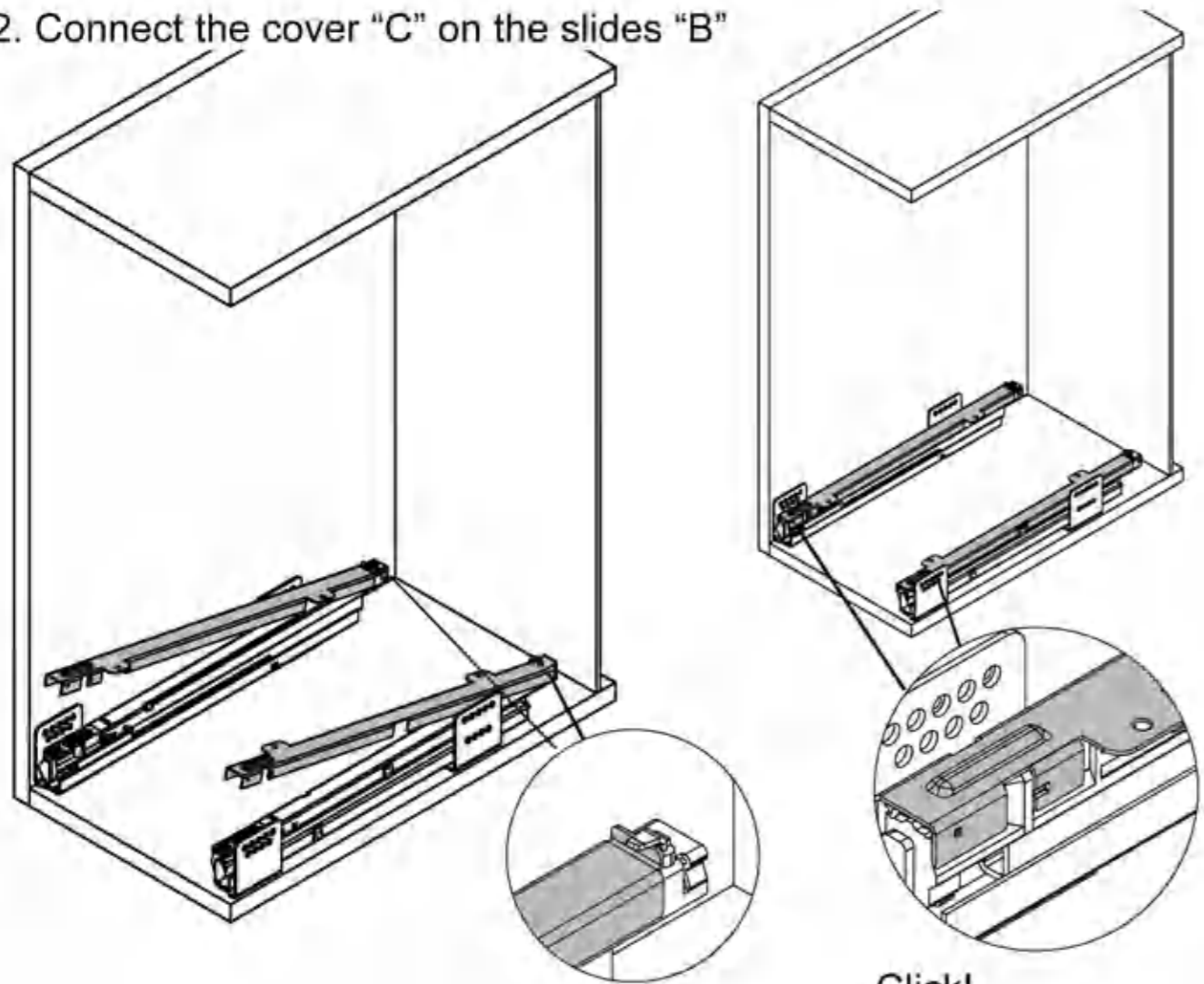
Tools required



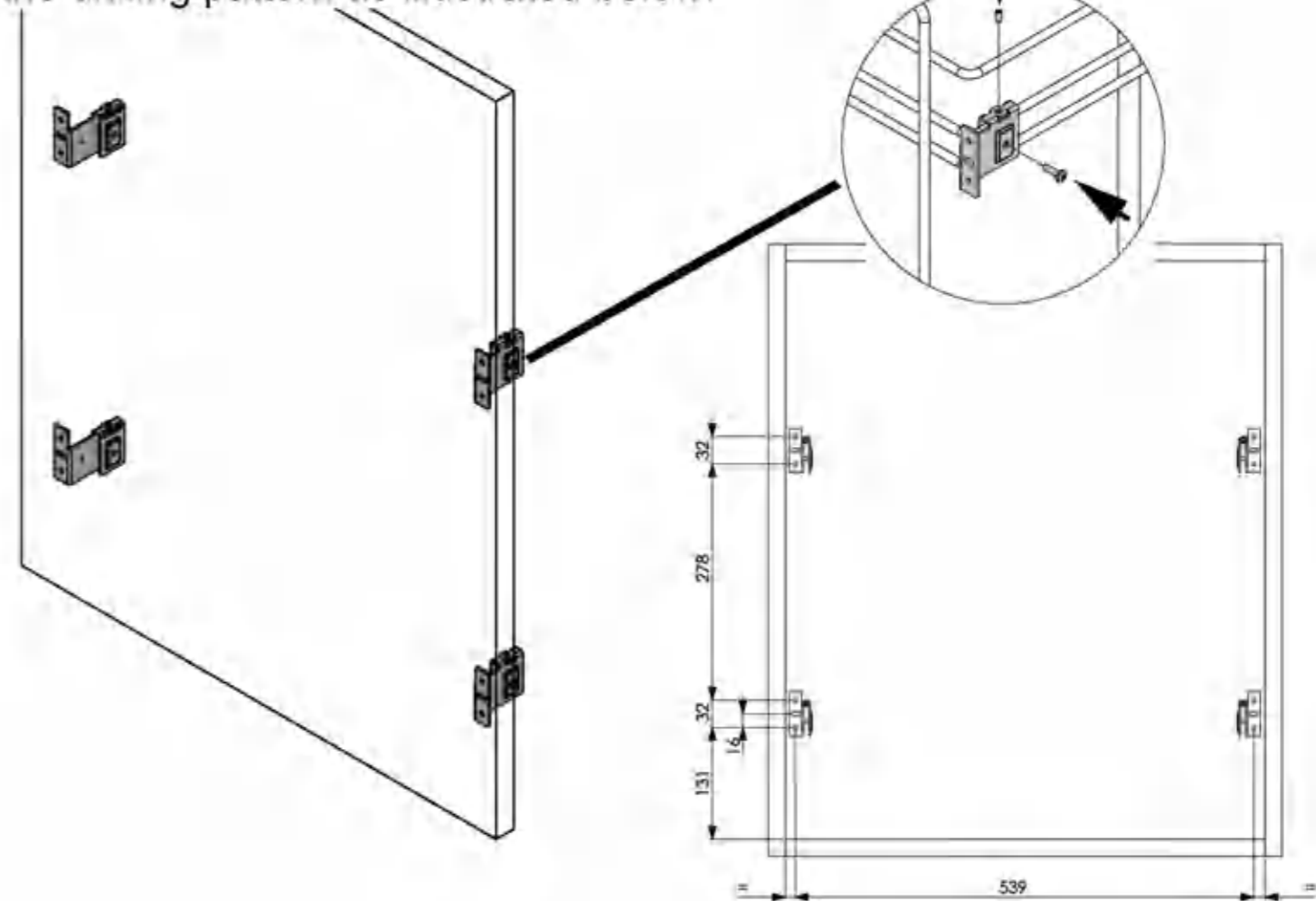
1. Attach the runners "B" using the drilling pattern in the diagram shown



2. Connect the cover "C" on the slides "B"



4. If connecting to a door use metal part "H" by using the drilling pattern as illustrated below.



3. Fix the basket with 4 screw "I" M5x7, to cover "C", as illustrated.

